

Instruction Manual

zoomión®



Stardust 76 AZ

English version 8.2014 Rev A

The Zoomion® Stardust 70 AZ

Congratulations on the purchase of the new Zoomion® Stardust 70 AZ. This small telescope will give you hours of fun, with its all optical glass lens and super compactness, and it is the ideal companion to start in the world of amateur astronomy. With this telescope you will be able to see the craters on the Moon, star clusters, some nebulae and a glimpse of the Jupiter disc features and its Galilean moons and the rings of Saturn. We have included many accessories so it will be easy to use this telescope.

1. Included parts

we have included several accessories that will make the use of the telescope easier and fun, please take a look at the list of the parts so you can identify them in the future.

1. 2x magnification Barlow Lens;
2. 5x Finderscope;
- 3, 4 and 5. Three eyepieces 1.25" (31.75mm); a H20mm, H12.5mm and a SR4mm eyepiece;

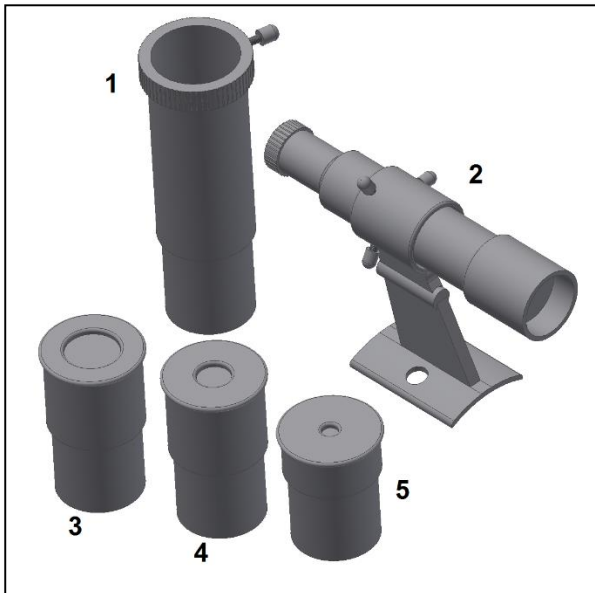


Figure 1. Parts list.

2. Getting Started. It is very simple to get started. Here is how the telescope works. The telescope should point to the object being observed. The mirror at the bottom of the telescope's tube gathers the object's light and reflects it to the secondary mirror that brings it to the eyepiece. Next to the telescope's aperture there is the focuser. The focuser tube moves to get a precise focused image. At the focuser one can use the supplied accessories. Different accessories combinations give different results, such as different image magnifications or correct image. But all this will be explained in detail in the next pages.

3. Assembly. Start by setting the tripod. Open the tripod legs as shown (figure 2). Place the tripod tray and thread it (figure 3). You can use the tray to put your eyepieces or other observing accessories. The optical tube is placed in the fork mount (figure 4). Use the two supplied handknobs to secure the telescope to the fork mount (figure 5), turn this knobs gently, the tube should freely move up and down with a small friction. Make sure that the telescope is pointing to the right direction. Now slide the chromed shaft in the fork chromed support (on the side of the fork mount – figure 6). Then thread the shaft to the optical tube chromed support (figure 7). Moving the telescope up and down slides the chromed shaft on the fork chromed support. Place the tube horizontally and tighten the chromed hand knob on the chromed support. Next step is to place the finderscope. The finderscope base fits the two protruding screws on the telescope tube (figure 8). Affix the finderscope with the two supplied chromed thumbnuts. Insert the lowest power eyepiece (H20) in the focuser tube. Use the focuser thumbscrew to get eyepiece securely tightened. Congratulations! You are almost ready to use the telescope!



Figure 2. Tripod assembly.



Figure 3. Tray placement.



Figure 4. Place tube on the fork mount.

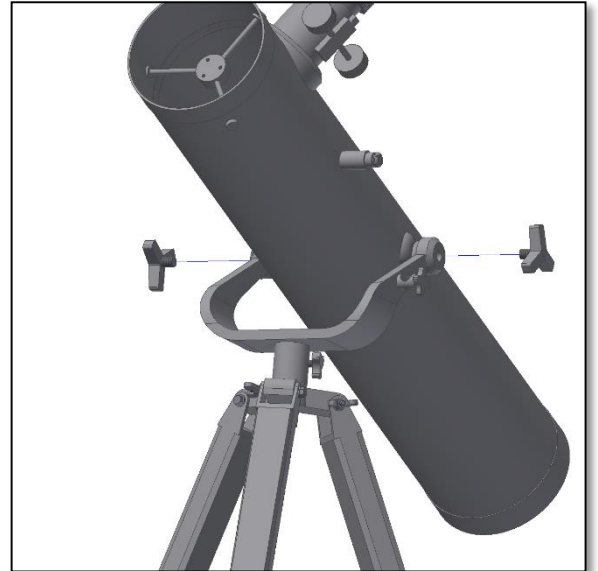


Figure 5. Secure the tube with the supplied hand knobs.



Figure 6. Insert fine focusing shaft.



Figure 7. Fine focusing shaft in place.

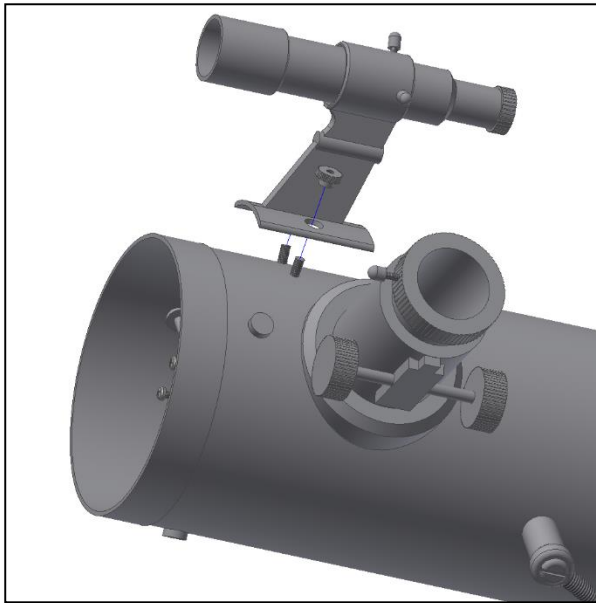


Figure 8. Finderscope placement.

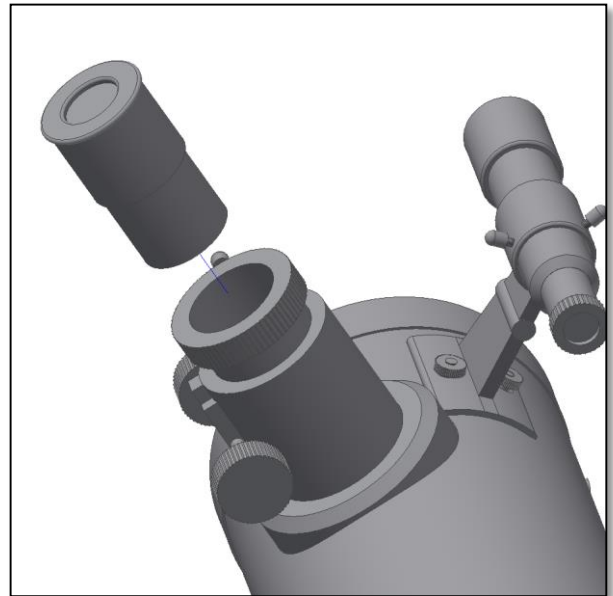


Figure 9. Telescope fully assembled.



Figure 2. Diagonal and Eyepiece.

ATTENTION! Do not look through the telescope at the Sun. Concentrated Sun light cause serious eye injury. Children should use only with adult supervision.

4. Start using your Zoomion Stardust76 AZ telescope.

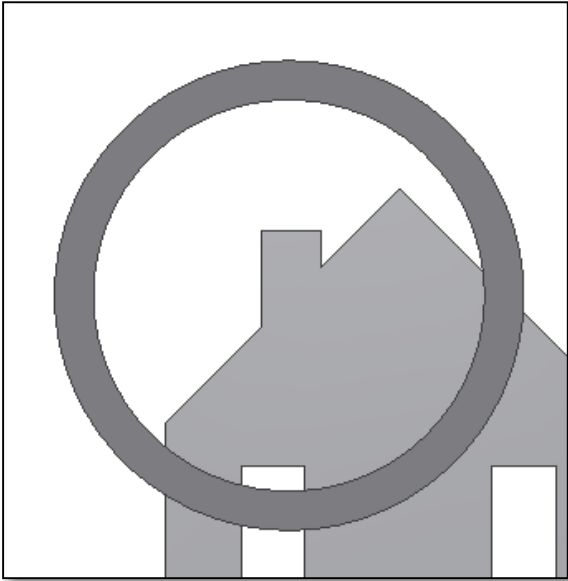
Point the telescope to a distant object during the day. It is important to do this during daylight so that you get familiarized with the telescope operation. A good target is a church tower a chimney or a distant mountain peak.

Rotate the focuser knob so that the focuser tube moves in and out. Do this slowly. We suggest that you start by racking the focuser all

the way in and slowly move it out. With the H20mm eyepiece you should be able to get a focused image easily.

4.1. The Finderscope. Before we mentioned the Finderscope as a valuable tool to point the telescope at an object. To operate properly, the telescope and the finderscope, should be aligned. The image obtained through the finderscope has a much broader field of view than that of the telescope. Aligning means matching the telescope image to the image of the center of the finderscope. This way when looking through the finderscope one know the telescope is pointing exactly to the same point making looking at objects much more easier.

4.2. How to align de finderscope? You have the house chimney (example mentioned before) centered at the telescope eyepiece field of view. Now look through the finderscope. The small cross (recticle) at the center of the finderscope field of view should match the center of the telescope field of view. Adjust the three finderscope screws to get the cross pointing to the same object as the telescope (as shown in Figure).



4.2.1. A distant object is centered at the telescope's field of view. In this example we have a house with a chimney. The chimney is the reference point to place at the center of the field of view. We first look through the telescope with the lowest magnification possible (H20mm should be preferable). So we have the widest field of view.



4.2.2. Looking through the finderscope we see the same building but in this case the chimney is not centered. We adjust the finderscope using the three thumbscrews so that the finderscope moves slightly. This is enough to correct the objects position in the finderscope. Trial and error is required to get a satisfactory result. Make sure to tighten the 3 screws after finishing so that the finderscope tube does not move.



4.2.3. After playing with the three finderscope thumbscrews and some trial and error we get the finderscope reticle close to the center (in this case the chimney). The Finderscope is now ready to use!

5. Using the accessories, a bit of math to understand how all it works.

Using the accessories is easy and fun. To change magnification simple swap eyepieces. To get more magnification simply use the barlow lens. But how all of this work?

5.1. Power (magnification)

Your telescope as a focal length of 760mm. This is approximately the distance between the telescope lens to its focal point (very similar to the distance between the focus point of a loupe and the loupe lens). This is a very important feature that allows to determine several interesting facts such as magnification.

The magnification is determined by the telescopes focal length and the used eyepiece. You probably noticed that the two supplied eyepieces are H20mm and H6mm. This means that the H20mm is a 20mm focal length eyepiece while the SR4mm is a 4mm focal length eyepiece.

To determine the magnification just divide the telescope focal length by the eyepiece focal length. Lets give an example for our telescope and the supplied eyepieces:

Telescope focal length is 760mm
H20 eyepiece focal length is 20 mm

$$\frac{760mm}{20mm} = 38 \text{ power}$$

Some possible accessory combinations

	Terrestrial View	Moon	Deep Sky	Jupiter and Saturn
Barlow Lens 2x				Yes
H12.5 Eyepiece		Yes		
H20 Eyepiece	Yes		Yes	Yes
Power	<i>Does not apply</i>	<i>61x</i>	<i>38x</i>	<i>76x</i>

This means that the H20 eyepiece provides a 38x power (magnification). This seems low but try it, you will see a a bright image with some very good detail.

5.2. Barlow Lens

The barlow lens is a very interesting device. It is a negative lens that multiplies the telescopes focal length. So a 2x Barlow multiplies the original focal length by 2x, in this case $760mm \times 2 = 1520mm$.

A 3x Barlow lens multiplies by 3x.

Your telescope is supplied with a 2x Barlow lens. When used with the H20 eyepiece you get 2x the power obtained before
 $38power \times 2x \text{ Barlow} = 76 \text{ power}$

5.3. Erecting lens (not included)

The erecting lens gets you a upright image view with the telescope. It also adds some power like the barlow lens. The supplied Erecting Lens provides and extra 1.5x power.

5.4. Diagonal Mirror (does not apply to this model)

This diverts the light coming from the telescope to an angle of 45 or 90 degrees. It is useful because it provides a more comfortable position when observing.

Here are some examples on how to use the accessories.

6. What can be seen with this telescope?

Below you will find some examples of what you can expect to see when using this telescope.



6.1. The Moon is one of the most spectacular objects to be seen through a telescope. Even a small telescope will reveal high detail of the Moon's surface. You will be able to see the craters on the Moon's surface and other features like the Mare. The moon is a very bright object. It is better observed when the Moon is not full. Try the crescent Moon and look for features along the terminator (between illuminated and dark surfaces).



6.2. Jupiter is the biggest planet of our solar system. It is also one of the favorite targets for beginners. Galileo was able to discover that the four tiny dots that turn around the planet were in fact part of Jupiter's system of moons. With this telescope you will be able not only to see Jupiter's planet disc with its two major discernible bands but also its biggest moons, Io, Europa, Ganymedes and Callisto.



6.3. The "lord of the rings" of the night skies, Saturn is by far the most popular target for small telescopes. Saturn's rings are discernible even at 60x magnification. In a very good night you will be able to see the Cassini's division (the darker band on the Saturn's rings).

7. Troubleshooting and frequently asked questions

Q: I get a mirrored view of the objects. Like if they were reversed, and R show up like Я

R: This is caused by the telescope's mirrors. To get a corrected image it is necessary to use the Correcting Lens and the Eyepiece as shown below. Please notice this telescope is not design for terrestrial viewing.

Q: I use the finderscope to point to objects but I always miss the target.

A: You probably need to realign the finderscope. Please proceed as described in 4.2.

Q: When I use the barlow lens and the H6 eyepiece the image is so dark I can't hardly see anything.

A: Power should be used with moderation. It depends on how stable the atmosphere is, too much turbulence causes image distortion. Usually the limit is 2x for each millimeter of the telescope aperture. In this case this telescope, the telescope has an aperture of 76mm so in a very good night you should be able to reach 154x. The more magnified the image is the darker it gets.

Q: Is my telescope compatible with other eyepieces ?

A: Zoomion telescopes are compatible with all telescope eyepieces from different manufacturers as long as the eyepiece is a 1.25" (or 31.75mm) size eyepiece. If you would like to test an eyepiece from a fellow astronomer go ahead. Different eyepieces provide different visual experiences.

Q: I want to use my telescope to take pictures

A: This telescope is designed for visual use. It doesn't mean it can't be used for photography, however it will be hard to get high quality pictures with this telescope. If you have a smartphone you can shoot the Moon or some terrestrial objects. Search online for digiscoping and afocal photography.

Q: The stars only appear as points in the telescope

A: Stars will always appear only as points, even in the largest telescopes in the world. It is more interesting for beginners to observe two-dimensional objects, such the moon or planets. Once you find these, you will be able to start learning about the astronomical calendar.

Q: I would like to observe the Sun

A: An appropriate solar filter, placed over the objective, is essential for observing the sun. These are available as plastic foil or glass filters. They allow only a tiny and harmless fraction of sunlight into the telescope when securely positioned over the objective, so allowing you to observe the sun in complete safety. Eyepiece solar filters (not available from us) should be avoided at all costs as they are considered unsafe.

Note: Never look directly at the sun through a telescope without an objective solar filter!

Q: I can't see anything when I look through my telescope

A: The telescope is only suitable for astronomical observing and when used outside at night.

Observing from inside the house or during the day is not usually possible.

The dust caps must first be removed and an eyepiece inserted before you can start observing. Are you sure you have removed all the dust caps, not just the small ones? If you have not, then no light will enter the telescope and everything will appear black.

Questions? Visit our website www.astroshop.eu and drop us a line* nimax GmbH Otto-Lilienthal-Str. 9 D-86899 Landsberg am Lech